

CENTRIFUGAL PUMPS – TWIN IMPELLER in AISI 304

Twin impeller centrifugal pumps with hydraulic components constructed in stainless steel AISI 304, suitable for pressure boosting, water supply, water treatment & irrigation, air conditioning systems and general water pumping including moderately aggressive liquids.



SPECIFICATIONS

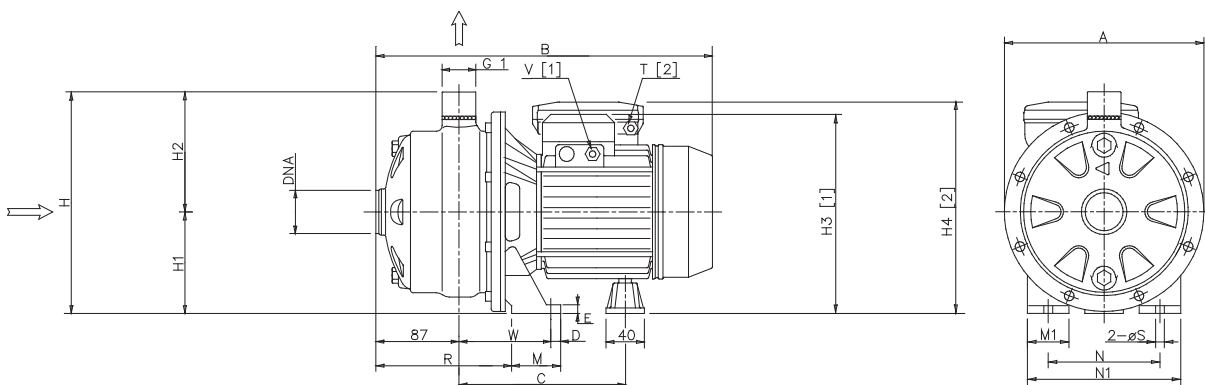
- Maximum working pressure : 8 bar
- Maximum liquid temperature : 35°C according EN 60335-2-41 for domestic uses
: 60°C for other uses
: 110°C for H version

MATERIALS

- Pump body, impeller, diffuser and casing cover in AISI 304
- Shaft in AISI 304
- Bracket and motor casing in aluminium
- Mechanical seal in carbon/ceramic/NBR
- Special mechanical seal is available on request

TECHNICAL DATA

- T.E.F.C. 2 pole motor
- Insulation: Class F
- Protection degree: IP55
- 1~230V ± 10% 50Hz, 3~230/400V ± 10% 50Hz
- Permanent split capacitor and automatic thermal overload protection for single-phase version
- Thermal protection to be provided by the user for three-phase version
- DNM 1"

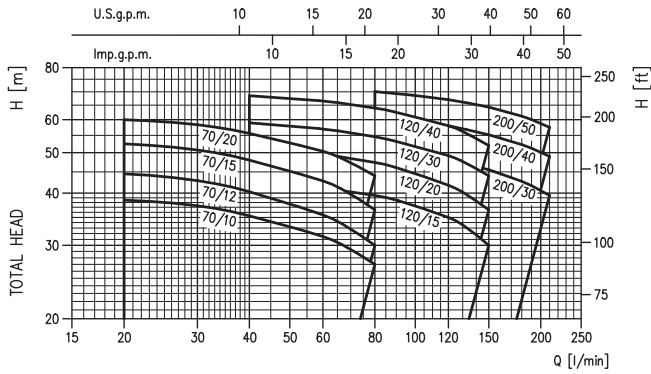


DIMENSIONAL TABLE

Pump type		Dimensions (mm)																Weight								
		A	B	C	D	E	H	H1	H2	H3	H4	M	M1	N	N1	R	T	V	W	S	DNA	Single-phase	Three-phase			
Single-phase	Three-phase									1-	3-						1-	3-								
2CDXM 70/10	2CDX 70/10	208	355	169	12.5	8	229	106	123	206	210	50	38	120	160	142.5	PG11	PG11	93	9	G 1/4					
2CDXM 70/12	2CDX 70/12	208	355	169	12.5	8	229	106	123	206	231	50	38	120	160	142.5	PG13.5	PG11	93	9	G 1/4	13.5	13.3			
2CDXM 70/15	2CDX 70/15	232	385	199	12.5	8	250	118	132	238	251	55	40	140	180	140	PG13.5	PG11	95	9	G 1/4	14.2	13.8			
2CDXM 70/20	2CDX 70/20	232	385	199	12.5	8	250	118	132	238	251	55	40	140	180	140	PG13.5	PG11	95	9	G 1/4	17.4	16.4			
2CDXM 120/15	2CDX 120/15	208	380	199	12.5	8	229	106	123	226	239	55	40	140	180	140	PG13.5	PG11	95	9	G 1/4	18.6	18.2			
2CDXM 120/20	2CDX 120/20	208	380	199	12.5	8	229	106	123	226	239	55	40	140	180	140	PG13.5	PG11	95	9	G 1/4	15.5	15.3			
-	2CDX 120/30	232	393	210	12.5	8	250	118	132	242	-	65	40	140	180	144	-	PG13.5	109	9	G 1/4	18.0	16.9			
-	2CDX 120/40	232	394	210	12.5	8	250	118	132	242	-	65	40	140	180	144	-	PG13.5	109	9	G 1/4	-	23.2			
-	2CDX 200/30	208	394	210	12.5	8	229	106	123	230	-	65	40	140	180	144	-	PG13.5	109	9	G 1/2	-	26.4			
-	2CDX 200/40	232	394	210	12.5	8	250	118	132	242	-	65	40	140	180	144	-	PG13.5	109	9	G 1/2	-	25.0			
-	2CDX 200/50	232	450	236	16.0	13	250	118	132	255	-	68	50	160	210	144	-	PG16	109	12	G 1/2	-	25.0			

PERFORMANCE CURVE

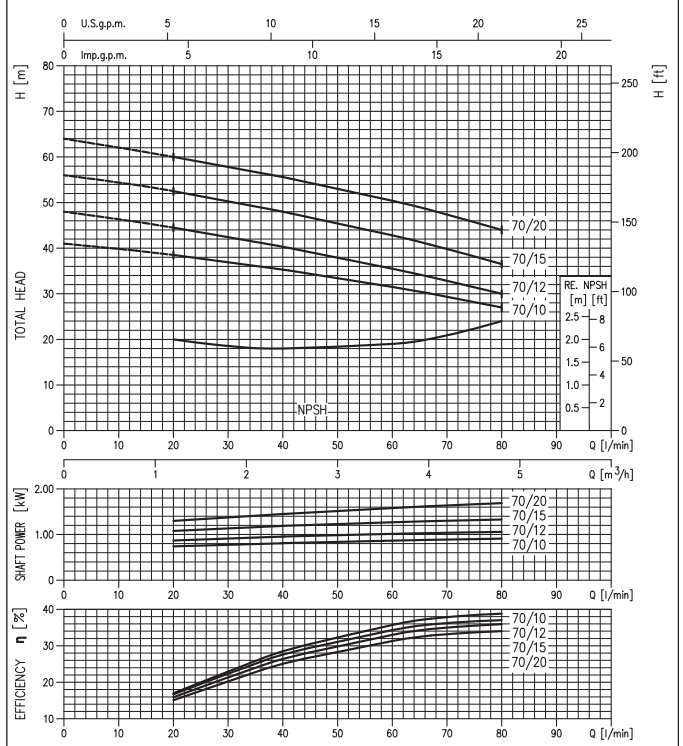
2CDX Pump



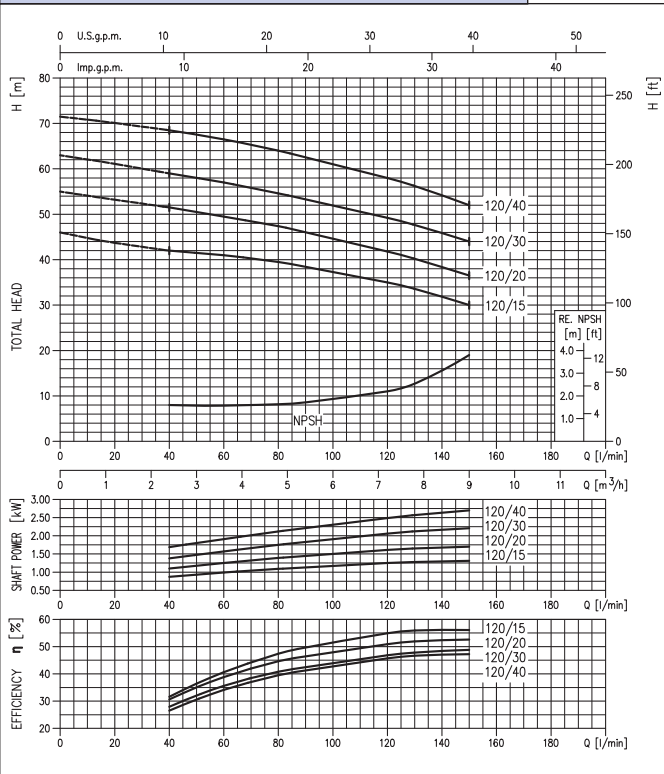
PERFORMANCE TABLE

Pump type		kW	Capacitor		Absorbed Current (A)		
Single-phase 230V/50Hz	Three-phase 230/400V/50Hz		μF	V _c	Single-phase	Three-phase 230V	400V
2CDXM 70/10	2CDX 70/10	0,75	20	450	6,0	4,0	2,3
2CDXM 70/12	2CDX 70/12	0,9	31,5	450	7,0	5,0	2,9
2CDXM 70/15	2CDX 70/15	1,1	35	450	8,0	5,6	3,2
2CDXM 70/20	2CDX 70/20	1,5	40	450	9,9	7,0	4,0
2CDXM 120/15	2CDX 120/15	1,1	35	450	8,3	5,6	3,2
2CDXM 120/20	2CDX 120/20	1,5	40	450	10,2	7,0	4,0
-	2CDX 120/30	2,2	-	-	-	8,7	5,0
-	2CDX 120/40	3,0	-	-	-	10,8	6,2
-	2CDX 200/30	2,2	-	-	-	10,4	6,0
-	2CDX 200/40	3,0	-	-	-	11,4	6,6
-	2CDX 200/50	3,7	-	-	-	15	8,7

2CDX 70 Series



2CDX 120 Series



2CDX 200 Series

